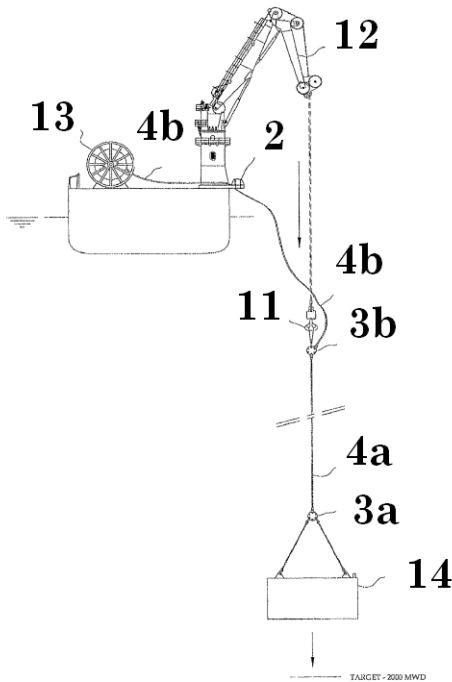


Pat. 8,235,228

Figure 3: Transverse section of the vessel, showing the first sequence completed.

The hang-off cradle has a vertical cut in the side plate, allowing the rope 4 to enter sideways into the hang-off cradle 2 and the roundel 3 to be lowered into the cradle for support. The ropes 4 are connected to the roundel 3 by a thimble 5, and the crane hook 11 is connected to the same by a grommet 6 and shackle 7. The hang-off cradle 2 is supported on the edge of the vessel deck 8 by a structural grillage 9 cantilevered on the vessel side 10.

Figure 2 is showing the execution of the first sequence of deployment operation, with the object 14 with slings 15 and asso-



Pat. 8,235,228

Figure 4: Transverse section of the vessel, showing the second sequence of the deployment operation.

ciated first roundel 3a being lowered down the first 1000 meter of the water depth on the crane wire 16 with the crane hook 11 and the crane boom 12, while the first 1000 meter of rope section 4a connected to the first roundel 3a is freely run out from the storage reel 13 located on the vessel deck 8. The object 14, being a structure or process unit, is suspended from the roundel 3a.

continued on next page

One Good Turn Deserves Another

PULLEYS & SHEAVES



Military Specification Pulleys & Commercial Sheaves.

Loos & Co., Inc. is proud to offer a wide variety of military specification and commercial pulleys and sheaves. These products are the perfect compliment to the specialized wire and wire ropes used in the markets that we have supported for years.

Pair these products with our wide range of wire rope and cable products and you'll get the performance you need, when you need it.

Call 800-533-5667 or email sales@loosco.com for a quote today.



www.loosco.com